

# TROLLEY JACKS ALUMINIUM

## SIP 1.5 Ton Low-Profile Aluminium Racing Jack ITEM NO: 03694

An ultra-lightweight and compact trolley jack suitable for both workshop and roadside/track applications due to its low-profile build. Ideal for lower vehicles such as performance and racing cars. Constructed from aircraft-grade aluminium.

### Key Features:

- Ultra low-profile design for improved access with performance vehicles
- Dual pump system reliability
- Front roller wheel and rear castors for easy movement
- Large saddle with rubber contact pad
- Side carry handles for transport



Dual pump system

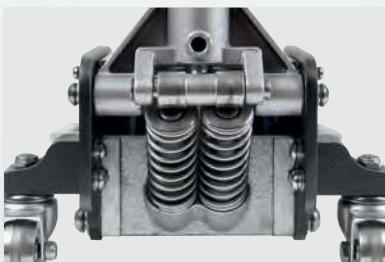


## SIP 2.5 Ton Low-Profile Aluminium/Steel Racing Jack ITEM NO: 03697

A solid trolley jack manufactured from aluminium and steel components, with lower clearance for performance and racing cars. Easily transportable, and ideal for mobile applications.

### Key Features:

- Low-profile design for lower clearances
- Durable aluminium and steel construction
- Quick-Lift system for fast operation/less strain
- Front roller wheel and rear castors for easy movement
- Side carry handles for easy lifting and storage



Dual pump system



MODEL	SIP 1.5 TON ALUMINIUM RACING JACK	SIP 2.5 TON ALUMINIUM/STEEL RACING JACK
PRODUCT CODE	03694	03697
Lifting Capacity	1.5 Ton	2.5 Ton
Min. Lifting Height	80 mm	75 mm
Max. Lifting Height	375 mm	440 mm
Saddle Size	100 mm	100 mm
Construction	Aluminium	Aluminium / Steel
Low-Profile Design	✓	✓
Quick-Lift Feature	✗	✓
Wheel Mounted	✓	✓
Weight	13.2 kg	26 kg
Packaged Dimensions	80 x 290 x 510 mm	170 x 710 x 295 mm
Barcode Number	5012713036226	5012713036240

SPECIFICATIONS

## SIP 3 Ton Trolley Jack ITEM NO: 03699

A heavy-duty trolley jack, with a patented design, specifically designed for prolonged and intense use. Strong extra-large components allow for easy lifting of large weights. Suitable for professional applications.

### Key Features:

- Powerful and highly reliable
- Premium quality patented design
- Extra-large saddle and rubber pad
- Heavy-duty wheels and castors
- Extra-strong long handle
- Heavy-duty gauge base



## SIP 3 Ton 'Quick-Lift' Trolley Jack ITEM NO: 03676

A durable trolley jack featuring a steel hydraulic assembly and dust seals, allowing for heavy-duty use and added reliability. This jack, like others, is fitted with a Quick-Lift lifting mechanism.

### Key Features:

- Quick-Lift system for fast operation/less strain
- Removable 2-piece handle with rubber grip
- Steel hydraulic assembly and dust seals
- Strong rear wheels and front castors
- Extra-large saddle and rubber pad
- Solid and durable construction



"...SIP jack impressed us with their twin-piston hydraulics and accurate quick-lift systems..."

### WHAT IS QUICK-LIFT?

The Quick-Lift system allows the quick raising of the jack saddle to the vehicle lifting point with minimal effort, therefore reducing overall operator strain and increasing efficiency.

MODEL	SIP 3 TON TROLLEY JACK	SIP 3 TON 'QUICK-LIFT' TROLLEY JACK
PRODUCT CODE	03699	03676
Lifting Capacity	3 Ton	3 Ton
Min. Lifting Height	135 mm	135 mm
Max. Lifting Height	495 mm	495 mm
Saddle Size	120 mm	122 mm
Construction	Steel	Steel
Low-Profile Design	✗	✗
Quick-Lift Feature	✗	✓
Wheel Mounted	✓	✓
Weight	34 kg	34 kg
Packaged Dimensions	215 x 390 x 695 mm	200 x 390 x 700 mm
Barcode Number	5012713036325	5012713036769

# TROLLEY JACKS LOW PROFILE

## SIP 2.5 Ton 'Low-Profile' Trolley Jack ITEM NO: 03675

Designed with lower-profile vehicles in mind, and thus is able to operate under performance and sports cars in workshop and mobile applications. Ultra reliable.

### Key Features:

- Extra-low profile design for low cars
- Safety bypass system protects cylinder
- Removable 2-piece handle with rubber grip
- Heavy-duty chassis for added reliability
- Large saddle with rubber contact pad
- Steel hydraulic block assembly



### SIP SALES:

Tel: 01509 500500  
Fax: 01509 500456  
Email: sales@sip-group.com

### TECHNICAL / AFTERSALES:

Tel: 01509 500400  
Fax: 01509 500456  
Email: technical@sip-group.com

MODEL	SIP 2.5 TON 'LOW-PROFILE' TROLLEY JACK
PRODUCT CODE	03675
Lifting Capacity	2.5 Ton
Min. Lifting Height	93 mm
Max. Lifting Height	490 mm
Saddle Size	95 x 95 mm
Construction	Steel
Low-Profile Design	✓
Quick-Lift Feature	✗
Wheel Mounted	✓
Weight	34 kg
Packaged Dimensions	200 x 390 x 700 mm
Barcode Number	5012713036752

SPECIFICATIONS

# TROLLEY JACKS LOW PROFILE (HEAVY DUTY)

## SIP 3.25 Ton 'Low-Profile' Trolley Jack ITEM NO: 03688

A heavy-duty trolley jack with a high lifting capacity, ideal for busy multi-purpose workshops and garages, including higher clearance and heavier vehicles. Strong steel construction.

### Key Features:

- Low-profile design for various vehicles
- Efficient dual pumps for faster lifting
- Extra-large saddle and rubber pad
- Ideal for larger and heavier vehicles
- Extra-strong long padded handle
- Heavy-duty steel gauge base



**2 YEAR  
WARRANTY**

MODEL	SIP 3.25 TON 'LOW-PROFILE' TROLLEY JACK
PRODUCT CODE	03688
Lifting Capacity	3.25 Ton
Min. Lifting Height	95 mm
Max. Lifting Height	520 mm
Saddle Size	120 mm
Construction	Steel
Low-Profile Design	✓
Quick-Lift Feature	✗
Wheel Mounted	✓
Weight	44.5 kg
Packaged Dimensions	190 x 405 x 815 mm
Barcode Number	5012713036882

SPECIFICATIONS

# LONG FLOOR JACKS

**SIP 5 Ton Long Floor Jack** ITEM NO: 03642

**SIP 10 Ton Long Floor Jack** ITEM NO: 03647

These long floor jacks from SIP make lifting larger vehicles with heavier weights easier due to the Quick-Lift system they feature, a large contact saddle diameter, extra-long wheel base and strong handles.

### Key Features:

- Quick-Lift system for efficient and faster lifting
- Integrated foot pedal raises the contact saddle
- Extra-long handle for various larger vehicles
- Rear toe plate for easy jack positioning
- Strong steel wheels and swivel castors
- Extra-large diameter contact saddle
- Release knob and handle lock



### WHAT IS QUICK-LIFT?

The Quick-Lift system allows the quick raising of the jack saddle to the vehicle lifting point with minimal effort, therefore reducing overall operator strain and increasing efficiency.

MODEL	SIP 5 TON LONG FLOOR JACK	SIP 10 TON LONG FLOOR JACK
PRODUCT CODE	03642	03647
Lifting Capacity	5 Ton	10 Ton
Min. Lifting Height	150 mm	160 mm
Max. Lifting Height	560 mm	560 mm
Saddle Size	130 mm	150 mm
Construction	Steel	Steel
Low-Profile Design	✓	✗
Quick-Lift Feature	✓	✓
Wheel Mounted	✓	✓
Weight	87 kg	156 kg
Packaged Dimensions	340 x 420 x 1570 mm	300 x 520 x 1670 mm
Barcode Number	5012713036424	5012713036479

SPECIFICATIONS

# PNEUMATIC FLOOR JACKS

## SIP 22 Ton Pneumatic Air Floor Jack

ITEM NO: 03643

This floor jack boasts a maximum lifting height of over 500 mm - with screw extension - despite its low clearance design, allowing for versatile usage on a range of vehicles. Ideal for professional garages and for use with commercial vehicles.

### Key Features:

- Quiet non-marking rubber wheels
- Air-line hook and air control valve
- Handle lock and release control
- Smooth pneumatically - assisted operation
- Adaptor models supplied with 3 quick-lift supports to increase starting height
- Ground ram saddle



Handle lock and release control



## SIP 50/25/10 Ton Pneumatic Truck Jack

ITEM NO: 03649

A pneumatic jack designed for lifting heavy commercial vehicles such as trucks, lorries, large vans and more. A 3-stage lifting system can comfortably lift different weights to impressive heights.

### Key Features:

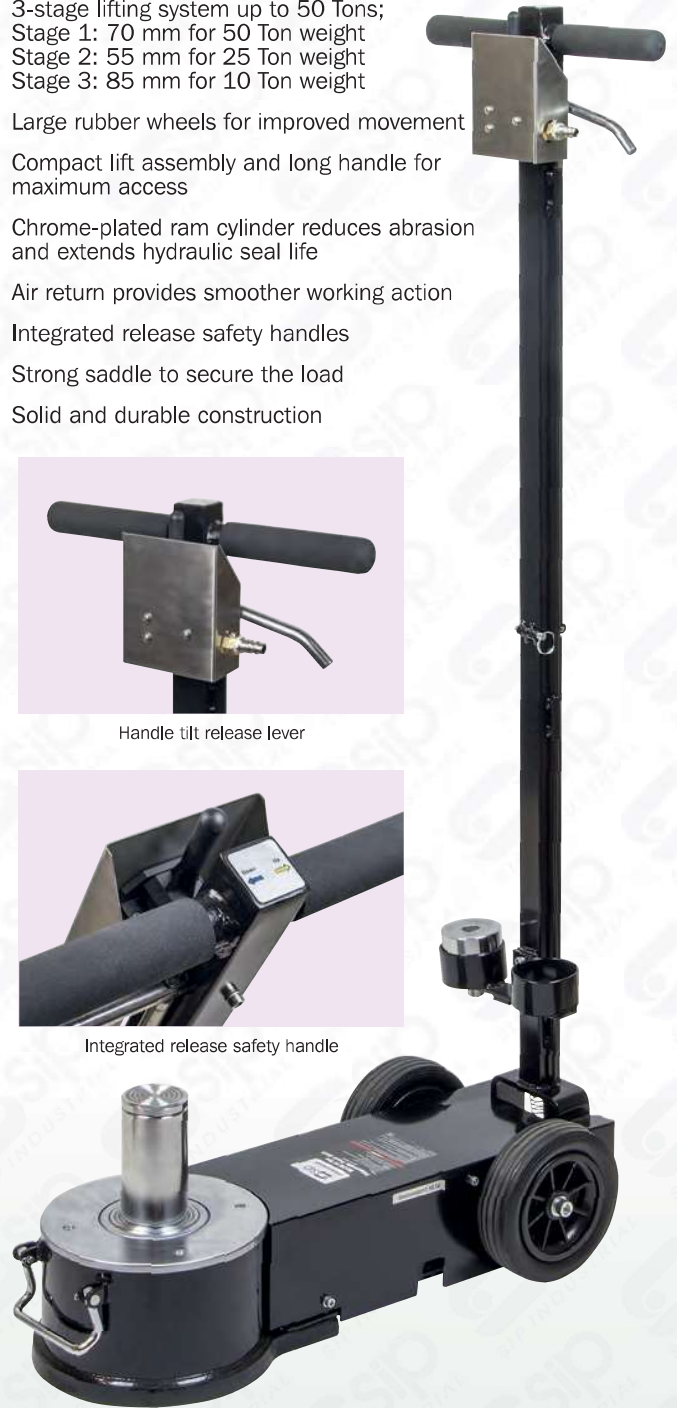
- 3-stage lifting system up to 50 Tons; Stage 1: 70 mm for 50 Ton weight Stage 2: 55 mm for 25 Ton weight Stage 3: 85 mm for 10 Ton weight
- Large rubber wheels for improved movement
- Compact lift assembly and long handle for maximum access
- Chrome-plated ram cylinder reduces abrasion and extends hydraulic seal life
- Air return provides smoother working action
- Integrated release safety handles
- Strong saddle to secure the load
- Solid and durable construction



Handle tilt release lever



Integrated release safety handle



MODEL	SIP 22 TON PNEUMATIC AIR FLOOR JACK
PRODUCT CODE	03643
Lifting Capacity	5 Ton
Min. Lifting Height	230 mm
Max. Lifting Height	555 mm
Ram Stroke	130 mm
Adaptor Sizes Ø	20 x 50, 20 x 70, 50 x 50, 110 x 50 mm
Air Pressure	7 to 10 bar
Air Consumption	9,5 CFM
Wheel Mounted	✓
Weight	46 kg
Packaged Dimensions	280 x 360 x 630 mm
Barcode Number	5012713036431

SPECIFICATIONS

MODEL	SIP 50/25/10 TON PNEUMATIC TRUCK JACK
PRODUCT CODE	03649
Lifting Capacity	50 / 25 / 10 Ton
Min. Lifting Height	150 mm
Max. Lifting Height	360 mm
Ram Stroke	150 mm
Adaptor Sizes Ø	60 x 70, 120 x 70 mm
Air Pressure	100 to 145 psi
Air Consumption	✗
Wheel mounted	✓
Weight	68 kg
Packaged Dimensions	290 x 375 x 710 mm
Barcode Number	5012713036493

SPECIFICATIONS

AIR FLOOR JACKS

# TRANSMISSION JACKS

## SIP 500 KG Transmission Jack ITEM NO: 03871

A solidly constructed transmission jack suitable for garage and workshop applications. A relatively lightweight build means easy movement across floors. Heavy-duty components designed for prolonged use in professional environments.

### Key Features:

- Oversized foot pedal for easy lifting
- Spring-loaded pressure release valve
- Knurled air release valve
- Convenient foot pedal lifting
- Heavy-duty hydraulic cylinder
- New and improved design
- Heavy-duty swivel castors



Knurled air release valve



## SIP 500 KG 'Quick-Lift' Transmission Jack ITEM NO: 03690

A durable transmission jack suitable for professional applications of all varieties. Heavy-duty components combined with a 'Quick-Lift' system ensure that up to 500kg can be lifted efficiently, without considerable strain from the operator.

### Key Features:

- Large foot pedal for easy lifting
- Spring-loaded pressure release valve
- Large footprint base to spread the load
- Quick-Lift efficient lifting mechanism
- Heavy-duty steel wheels and castors
- Heavy-duty hydraulic cylinder
- Solid and durable construction



03869 ▶

## SIP Transmission Adaptor ITEM NO: 03869

An adaptor for all SIP transmission jacks that provides stability and fully adjustable gearbox support. Ideal for heavy-duty and prolonged applications.

### Key Features:

- 750 lbs maximum weight capacity
- Fully adjustable gearbox support
- Fine adjustment by manual screw rod
- Feet and twin spindles are adjustable over the whole length of the support
- Supplied with a double groove chain
- Suitable for all SIP transmission jacks
- 10,5 kg weight
- 130 x 220 x 350 mm packaged dimensions

Barcode Number: 5012713038695

MODEL	SIP 500 KG TRANSMISSION JACK	SIP 500 KG 'QUICK-LIFT' TRANSMISSION JACK
PRODUCT CODE	03871	03690
Lifting Capacity	500 kg	500 kg
Min. Lifting Height	1175 mm	1250 mm
Max. Lifting Height	1995 mm	2040 mm
Wheel Mounted	✓	✓
Weight	30 kg	40.1 kg
Packaged Dimensions	285 x 230 x 1125 mm	280 x 360 x 1090 mm
Barcode Number	5012713038718	5012713036905

SPECIFICATIONS

## SIP 1 Ton Transmission Jack with Adaptor

ITEM NO: 03693

A solidly constructed transmission jack suitable for garage and workshop applications. A relatively lightweight build means easy movement across floors. Heavy-duty components designed for prolonged use in professional environments.

### Key Features:

- Solid heavy-duty wheels and castors
- Large solid base to spread the load
- Transmission adaptor included
- Spring-loaded release valve
- Durable hydraulic cylinder
- Heavy-duty swivel castors



Transmission adaptor included

## SIP 3 Ton Jack Stands

ITEM NO: 03637

## SIP 6 Ton Jack Stands

ITEM NO: 03641

Supplied in pairs of ultra-lightweight jacks stands, comfortably able to hold considerable weight due to strong construction and load-spreading design.

### Key Features:

- Large feet to help spread the load evenly
- Ratchet action for quick and safe adjustment
- Suitable for garages and workshops
- Lightweight and relatively compact
- Strong and durable construction



03637 ▶



03641 ▶

MODEL	SIP 1 TON TRANSMISSION JACK
PRODUCT CODE	03693
Lifting Capacity	1 Ton
Min. Lifting Height	1258 mm
Max. Lifting Height	2145 mm
Wheel Mounted	✓
Weight	65 kg
Packaged Dimensions	280 x 350 x 1530 mm
Barcode Number	5012713036936

SPECIFICATIONS

MODEL	SIP 3 TON JACK STANDS	SIP 6 TON JACK STANDS
PRODUCT CODE	03637	03641
Lifting Capacity	3 Ton	6 Ton
Min. Lifting Height	238 mm	395 mm
Max. Lifting Height	372 mm	605 mm
Height Adjustment Type	Ratchet	Ratchet
Supplied in Pairs	✓	✓
Weight	8 kg	13.7 kg
Packaged Dimensions	220 x 220 x 360 mm	270 x 305 x 465 mm
Barcode Number	5012713036370	5012713036417

SPECIFICATIONS



# BOTTLE JACKS

**SIP 2 Ton Bottle Jack** ITEM NO: 03666

**SIP 4 Ton Bottle Jack** ITEM NO: 03667

**SIP 8 Ton Bottle Jack** ITEM NO: 03668

**SIP 12 Ton Bottle Jack** ITEM NO: 03669

**SIP 20 Ton Bottle Jack** ITEM NO: 03670

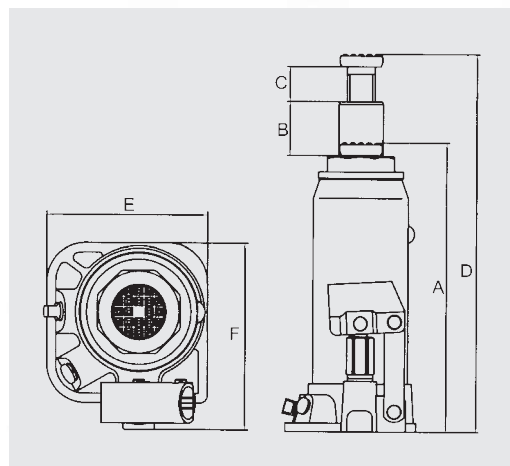
**SIP 30 Ton Bottle Jack** ITEM NO: 03671

**SIP 50 Ton Bottle Jack** ITEM NO: 03672

All SIP Bottle Jacks boast a solid and durable construction regardless of their weight class, and come with screw extensions for adjustable starting heights (with exception to 03671/03672). Suitable for commercial vehicles, bending, and straightening.

### Key Features:

- Durable and powerful construction
- Compact, relatively lightweight design
- Extensions for adjustable starting heights
- Integrated safety valves
- Serrated contact saddles
- Reliable overload protection
- Heavy-duty cast iron bases



MODEL	Lifting Capacity	A	B	C	D	E	F	Weight	Packaged Dimensions	Barcode Number
03666	2 Ton	156 mm	100 mm	60 mm	320 mm	93 mm	88 mm	2.3 kg	120 x 100 x 175 mm	5012713036660
03667	4 Ton	182 mm	118 mm	60 mm	354 mm	102 mm	107 mm	3.2 kg	125 x 110 x 210 mm	5012713036677
03668	8 Ton	202 mm	136 mm	60 mm	400 mm	120 mm	120 mm	5.4 kg	140 x 130 x 210 mm	5012713036684
03669	12 Ton	213 mm	142 mm	60 mm	415 mm	132 mm	132 mm	7.2 kg	150 x 145 x 225 mm	5012713036691
03670	20 Ton	242 mm	166 mm	60 mm	470 mm	140 mm	140 mm	11 kg	180 x 165 x 255 mm	5012713036707
03671	30 Ton	288 mm	200 mm	-	489 mm	160 mm	160 mm	14.6 kg	180 x 180 x 295 mm	5012713036714
03672	50 Ton	298 mm	300 mm	-	494 mm	176 mm	176 mm	32 kg	240 x 220 x 320 mm	5012713036721

SPECIFICATIONS

## SIP 1 Ton Folding Engine Crane ITEM NO: 03685

## SIP 2 Ton Folding Engine Crane ITEM NO: 03687

Two engine cranes suitable for lifting heavy-duty engines and other vehicle components. Their front legs and lifting booms are fully retractable, allowing for quick and easy storage, meaning that they do not use up unnecessary space in workshops and garages.

### Key Features:

- Heavy-duty steel box construction
- Hydraulic pump with chromed ram
- Retractable booms and front legs
- 6 heavy-duty castors for easy movement
- 4-hole position boom for different weights
- Durable and reliable construction



4 hole position boom with indicated weight capacities



03685 ▶

Retractable boom and front legs allow for easy and convenient storage

## SIP Engine Leveller ITEM NO: 03692

Features fine screw adjustment for levelling off-centre loads easily, ideal for car, van, truck, and marine engines or gearboxes.

Can be used with most cranes.

### Key Features:

- Fine screw adjustment
- Supplied with chains
- 6.4 kg weight
- 445 x 64 x 190 mm packaged dimensions

Barcode Number:  
50127130036929



6x heavy duty castors for smooth and easy movement

MODEL	SIP 1 TON ENGINE CRANE	SIP 2 TON ENGINE CRANE
PRODUCT CODE	03885	03687
Maximum Lifting Capacity	1 Ton	2 Ton
Position: 1	1000 kg	2000 kg
Position: 2	750 kg	1500 kg
Position: 3	500 kg	1000 kg
Position: 4	250 kg	500 kg
Ram Capacity	4 Ton	8 Ton
Maximum Lift Height	2000 mm	2000 mm
Wheel Mounted	✓	✓
Weight	71 kg	104.1 kg
Packaged Dimensions	200 x 385 x 1637 mm	90 x 610 x 880 mm (box 1) 170 x 320 x 1540 mm (box 2)
Barcode Number	5012713036855	5012713036875

# ENGINE STAND, CAR CREEPER, WHEEL DOLLIES & CHOCKS

## SIP 340 KG Engine Stand ITEM NO: 03681

A heavy-duty construction allows weight up to 750 lbs to be held comfortably, on a lightweight and compact frame that is fully adjustable and movable without strain on the user's part.

### Key Features:

- Professional heavy-duty engine stand
- 360° rotating head to allow engine access
- 1x heavy-duty castor and 2x strong wheels
- Fully adjustable stand mounting arms
- Ideal for garages and workshops
- Lightweight and compact design
- Solid and durable construction



MODEL	SIP 340 KG ENGINE STAND
PRODUCT CODE	03681
Maximum Capacity	340 kg (750 lbs)
Head Rotation	360°
Wheel Mounted	✓
Weight	18.5 kg
Packaged Dimensions	190 x 195 x 875 mm
Barcode Number	5012713036813

SPECIFICATIONS

## SIP Car Wheel Dollies ITEM NO: 03833

Constructed from heavy-duty pressed steel, these dollies are a simple solution to moving your car, able to lift 450kg, per dolly, comfortably despite their compact size. Supplied in pairs.

### Key Features:

- 4 heavy-duty swivel castors for easy movement
- Ideal for garages and workshops
- Easy movement of cars and wheels
- Compact and lightweight build
- Superb value-for-money



MODEL	SIP CAR WHEEL DOLLIES
PRODUCT CODE	03833
Maximum Capacity	450 kg (per dolly)
Weight	18 kg (pair)
Packaged Dimensions	125 x 430 x 640 mm
Barcode Number	5012713038336

SPECIFICATIONS

## SIP Car Creeper ITEM NO: 03639

A reliable and easy way of working under vehicles whilst reducing risk of strain or injury. Built for comfort and durability, thus an essential addition to any garage or workshop.

### Key Features:

- Durable oil-resistant vinyl cover • Solid rectangular frame for added strength
- Fully padded back and adjustable angle head rest
- 6 heavy-duty swivel castors for optimum manoeuvrability
- Superb value-for-money • Weight: 8.2 kg
- 1040 x 440 x 125 mm packaged dimensions

Barcode Number: 5012713036394



## SIP Wheel Chocks ITEM NO: 03636

Designed to ensure that no vehicle or component will move when being jacked, lifted or otherwise, meaning that general maintenance will be far safer. Ideal for heavy-duty use. Supplied in pairs.

### Key Features:

- High-quality premium wheel chocks • Improves overall safety of any user
- Vehicles will not move during jacking • Essential for any workshop/garage
- Solid and durable construction • Ideal for heavy-duty usage
- 1.5 kg weight • 100 x 50 x 80 mm packaged dimensions

Barcode Number: 5012713036363



# WHEEL REMOVAL TROLLEY & SPRING COMPRESSOR

## SIP Wheel Removal Trolley ITEM NO: 03640

A convenient and safe solution for handling, removing, and mounting of wheels on large vehicles such as tractors and trucks. The construction allows for convenience and safe way to handle large and heavy components.

### Key Features:

- 1.2 Ton capacity
- 8 adjustable rollers for easy wheel turning
- Locking mechanism fixes rollers in pre-set positions
- Mounted on 4 heavy-duty castors (2 locking type)
- Convenient and safe way to handle large wheels
- Perfect for taking off/mounting on big vehicles



SPECIFICATIONS

MODEL	SIP WHEEL REMOVAL TROLLEY
PRODUCT CODE	03640
Capacity	1.2 Ton
Max. Wheel Width Range	0 to 760 mm
Wheel Mounted	✓
Weight	137 kg
Packaged Dimensions	320 x 1030 x 1300 mm
Barcode Number	5012713036400

## SIP Hydraulic Spring Compressor ITEM NO: 03638

Fast and easy operation when compared to other manual spring compressors available on the market. A compact design means no space is used unnecessarily, allowing for easy storage and movement.

### Key Features:

- 1000 kg maximum weight capacity
- For use with 4" to 10" (101.6 to 254 mm) spring sizes
- Easy operation compared to other spring compressors
- Compact and lightweight construction
- Large base to help spread any weight
- Oversized foot pedal for quick lifting



SPECIFICATIONS

MODEL	SIP HYDRAULIC SPRING COMPRESSOR
PRODUCT CODE	03638
Capacity	1000 kg
Max. Working Length	480 mm
Ram Travel	325 mm
Spring Range Ø	101.6 to 254 mm (4" to 10")
Weight	37 kg
Packaged Dimensions	220 x 290 x 1230 mm
Barcode Number	5012713036387

AUTOMOTIVE

# BENCH AND FLOOR PRESSES

**SIP 10 Ton Bench Press** ITEM NO: 03650

**SIP 12 Ton Shop Press** ITEM NO: 03651

**SIP 20 Ton Shop Press** ITEM NO: 03689

**SIP 30 Ton Shop Press** ITEM NO: 03695

**SIP 45 Ton Shop Press** ITEM NO: 03691

**SIP 75 Ton Shop Press** ITEM NO: 03696

All are suitable for domestic, trade and professional workshops and garages. All machines have a rugged steel frame and are ideal for removal or installation of bearings, universal joints, pulleys, wrist pins, and other applications, such as bending, bonding, and straightening.

Bench and floor models available.

## Key Features:

- Rugged steel frames for added durability
- Adjustable heights on durable workbeds
- Integrated glycerine-filled manometer



MODEL	SIP 10 TON BENCH PRESS	SIP 12 TON SHOP PRESS	SIP 20 TON SHOP PRESS	SIP 30 TON SHOP PRESS
PRODUCT CODE	03650	03651	03689	03695
Capacity	10 Ton	12 Ton	20 Ton	30 Ton
Ram Stroke	175 mm	175 mm	185 mm	150 mm
Minimum Work Height	0 mm	0 mm	0 mm	151 mm
Maximum Work Height	300 mm	300 mm	990 mm	1031 mm
Press Type	Bench	Floor	Floor	Floor
Operation Type	Manual	Manual	Manual	Pneumatic / Manual
Weight	52 kg	77 kg	112 kg	200 kg
Packaged Dimensions	150 x 540 x 790 mm	195 x 165 x 1375 mm (box 1) 150 x 220 x 660 mm (box 2)	150 x 185 x 1800 mm (box 1) 130 x 320 x 640 mm (box 2)	210 x 780 x 1900 mm
Barcode Number	5012713036509	5012713036516	5012713036899	5012713036950

# BENCH AND FLOOR PRESSES



03650 ▶

GLYCERINE FILLED  
MANOMETER  
INCLUDED

RUGGED STEEL  
FRAME DESIGN

UNITS FEATURE  
EITHER MANUAL  
OR  
PNEUMATIC /  
MANUAL OPERATION

ADJUSTABLE WORK  
BED HEIGHT

BENCH / SHOP  
PRESSES



03691 ▶



03696 ▶

SIP 45 TON SHOP PRESS	SIP 75 TON SHOP PRESS
03691	03696
45 Ton	75 Ton
190 mm	260 mm
0 mm	170 mm
890 mm	884 mm
Floor	Floor
Pneumatic / Manual	Pneumatic / Manual
243 kg	498 kg
300 x 380 x 1656 mm	1100 x 330 x 2100 mm
5012713036912	5012713036967

SPECIFICATIONS

# AUTO BODY REPAIR KIT, PIPE BENDER & TORQUE MULTIPLIER

## SIP 10 Ton Auto Body Repair Kit ITEM NO: 03679

Designed primarily for straightening and aligning vehicle bodies and bodywork, and structural work for vehicles of various types. Features essential components for auto-body repair in garages and workshops.

### Key Features:

- Polished hydraulic ram and cylinder to reduce abrasion
- Supplied in tough and durable steel storage and carry case
- Integrated safety valve

### What's in the box?

10 Ton hand pump, 10 Ton ram, hose, spreader, rubber head, flat base, male adaptor, serrated saddle, plunger toe, ram toe, wedge head, 90° combination head and a selection of extension tubes.



SPECIFICATIONS

MODEL	SIP 10 TON BODY REPAIR KIT
PRODUCT CODE	03679
Ram Capacity	10 Ton
Minimum Ram Length	470 mm
Ram Stroke	53 mm
Weight	36 kg
Packaged Dimensions	165 x 430 x 815 mm
Barcode Number	5012713036790

## SIP 12 Ton Hydraulic Pipe Bender (w/ Formers)

ITEM NO: 03683

A durable floor-standing hydraulic pipe bender, suitable for heavy-duty application in busy work environments. A sturdy steel construction ensures high quality and accurate bending each time.

### Key Features:

- 12 Ton hydraulic ram
- Supplied with 6 versatile formers
- External industrial return springs and heavy duty steel chassis
- Ideal for garages and workshops



SPECIFICATIONS

MODEL	SIP 12 TON PIPE BENDER
PRODUCT CODE	03683
Ram Capacity	12 Ton
Former Sizes Ø	½", ¾", 1", 1¼", 1½", 2"
Pipe Capacity Ø	½" to 2"
Weight	34.54 kg
Packaged Dimensions	125 x 430 x 640 mm
Barcode Number	5012713036837

## SIP Professional Torque Multiplier ITEM NO: 06451

This multiplier will loosen the tightest wheel nut on trucks, lorries, vans, agricultural machines, and more. An essential tool for any good automotive garage or workshop.

### Key Features:

- Compact design and maintenance free
- 1:56 high power gear ratio
- 3500 Nm maximum torque output
- Standard 1" drive size
- Complete with 32 and 33mm impact sockets
- Supplied in a heavy duty blow-moulded plastic carry/storage case



SPECIFICATIONS

MODEL	SIP PRO TORQUE MULTIPLIER
PRODUCT CODE	06451
Maximum Torque	3500 Nm (2573 ft/lbs)
Gear Ratio	1:56
Drive Size	1"
Sockets Included	32mm, 33 mm
Weight	7.36 kg
Packaged Dimensions	120 x 210 x 405 mm
Barcode Number	5012713064519

## SIP 5 Gallon Parts Washer

ITEM NO: 06886

A compact 23 litre (5 Gallon) parts washer that can be mounted on benches and other surfaces, removing the need for a large machine taking up space in a smaller garage or workshop. Integrated safety features make this washer reliable.

### Key Features:

- 136 litre/hr (30 gallons) pump rate
- Self-latching lid with fusible link - the lid will snap shut in event of a fire
- Space-saving and bench-mountable
- Sturdy tough steel construction



SPECIFICATIONS

MODEL	SIP 5 GALLON PARTS WASHER
PRODUCT CODE	06886
Supply	230 V
Motor	25 W
Washer Size	23 Litres (5 gallon)
Fluid Capacity	16 Litres (3.5 gallon)
Pump Rate	136 ltr/hr
Construction	Steel
Washer Type	Bench
Weight	7.5 kg
Packaged Dimensions	260 x 370 x 470 mm
Barcode Number	5012713068869

## SIP 20 Gallon Parts Washer

ITEM NO: 03834

A large 90 litre (20 Gallon) parts washer that is independently floor-standing, while remaining compact and relatively lightweight. Ideal for bigger garages or workshops with a busy environment. Integrated safety features make this washer reliable.

### Key Features:

- 136 litres/hr (30 gallons) pump rate
- Self-latching lid with fusible link - the lid will snap shut in event of a fire
- Space-saving and free floor-standing
- Sturdy and tough construction



Watch it in action!



SPECIFICATIONS

MODEL	SIP 20 GALLON PARTS WASHER
PRODUCT CODE	03834
Supply	230 V
Motor	25 W
Washer Size	90 Litres (20 gallon)
Fluid Capacity	136 Litres (30 gallon)
Pump Rate	136 ltr/hr
Construction	Steel
Washer Type	Floor
Weight	25.5 kg
Packaged Dimensions	330 x 560 x 790 mm
Barcode Number	5012713038343

## SIP Sandblast Cabinet

ITEM NO: 03868

For all finishing and cleaning applications, this cabinet provides efficient blasting, and quickly removes unwanted debris, rust, paint from metal and wood surfaces. Strong and stable construction.

### Key Features:

- One-piece seamless construction
- Quick and efficient sandblasting
- Automatic air shut-off for safety
- Durable steel construction
- Compact and lightweight

SPECIFICATIONS

MODEL	SIP SANDBLAST CABINET
PRODUCT CODE	03868
Supply	230 V
Average Air Consumption	7 CFM (283 ltr/min)
Maximum Working Pressure	125 psi (8.6 bar)
Media Capacity	7.5 Litres
Construction	Steel
Weight	18.5 kg
Packaged Dimensions	510 x 520 x 640 mm
Barcode Number	5012713038688



## SIP Parts Washer Solvent

ITEM NO: 02382

For use with SIP parts washers.

- 10 litre container

Barcode Number: 501271323820



## SIP Advanced Hydraulic Oil

ITEM NO: 02347

A specialist hydraulic oil developed specifically to meet the lubrication demands of most hydraulic applications.

- 1 litre container

Barcode Number: 5012713023479





# SIP GRAVITY & SUCTION OIL DRAINERS

**SIP 80 Litre Gravity Oil Drainer** ITEM NO: 03700

**SIP 80 Litre Gravity/Suction Oil Drainer** ITEM NO: 03711

**SIP 80 Litre Gravity/Suction Oil Drainer with Inspection Chamber** ITEM NO: 03722

Oil drainers from SIP are available as both gravity and suction-fed versions. They are designed for the safe collection of waste oil from vehicle gearboxes, engines and various other components.

They are constructed from heavy-duty steel, and mounted on durable front wheels and rear swivel castors for easy movement and storage, and all models feature a large collection bowl and accompanying tank.

Ideal for heavy-duty use.

## Key Features:

- 80 litre tanks and 20 litre collection trays
- Collects oils from engines or gearboxes
- Wheel/castor-mounted for easy movement
- 6x various diameter suction tubes included
- Oil level indicator tube on reservoir
- Rugged steel construction

OIL DRAINERS



**2 YEAR WARRANTY**

MODEL	SIP 80 LITRE GRAVITY OIL DRAINER	SIP 80 LITRE GRAVITY/SUCTION OIL DRAINER	SIP 80 LITRE GRAVITY/SUCTION OIL DRAINER WITH INSPECTION CHAMBER
PRODUCT CODE	03700	03711	03722
Tank Capacity	80 Litres	80 Litres	80 Litres
Operation	Gravity	Gravity / Suction	Gravity / Suction
Collection Bowl Capacity	20 Litres	20 Litres	20 Litres
Inspection Chamber Capacity / Construction	n/a	n/a	11 Litres / Perspex
Minimum Height	1195 mm	1190 mm	1500 mm
Maximum Height	1810 mm	1810 mm	1810 mm
Working Oil Temperature (engine oil)	40°C to 60°C	40°C to 60°C	40°C to 60°C
Oil Discharge Pressure (ejection)	10 to 15 psi (0.7 to 1 bar)	10 to 15 psi (0.7 to 1 bar)	10 to 15 psi (0.7 to 1 bar)
Air Inlet Pressure (extraction)	n/a	87 to 116 psi (6 to 8 bar)	87 to 116 psi (6 to 8 bar)
Air Inlet Connection	1/4"	1/4"	1/4"
Wheel Mounted	✓	✓	✓
Weight	31 kg	33 kg	39 kg
Packaged Dimensions	550 x 440 x 1000 mm	430 x 560 x 1000 mm	560 x 430 x 1470 mm
Barcode Number	5012713037001	5012713037117	5012713037223

SPECIFICATIONS

# SIP GRAVITY & SUCTION OIL DRAINERS



03722 ▶

## SIP SALES:

Tel: 01509 500500  
Fax: 01509 500456  
Email: sales@sip-group.com

## TECHNICAL / AFTERSALES:

Tel: 01509 500400  
Fax: 01509 500456  
Email: technical@sip-group.com

**2 YEAR  
WARRANTY**



Collector tray height adjustment



Large collector filler tray



Gravity / Suction switch-over lever



Selection of various diameter tubes included



Integrated suction tube cleaning wire